

ITEM NO.	QTY.	DESCRIPTION
1	1	SWITCH
2	2	39" LED LIGHT

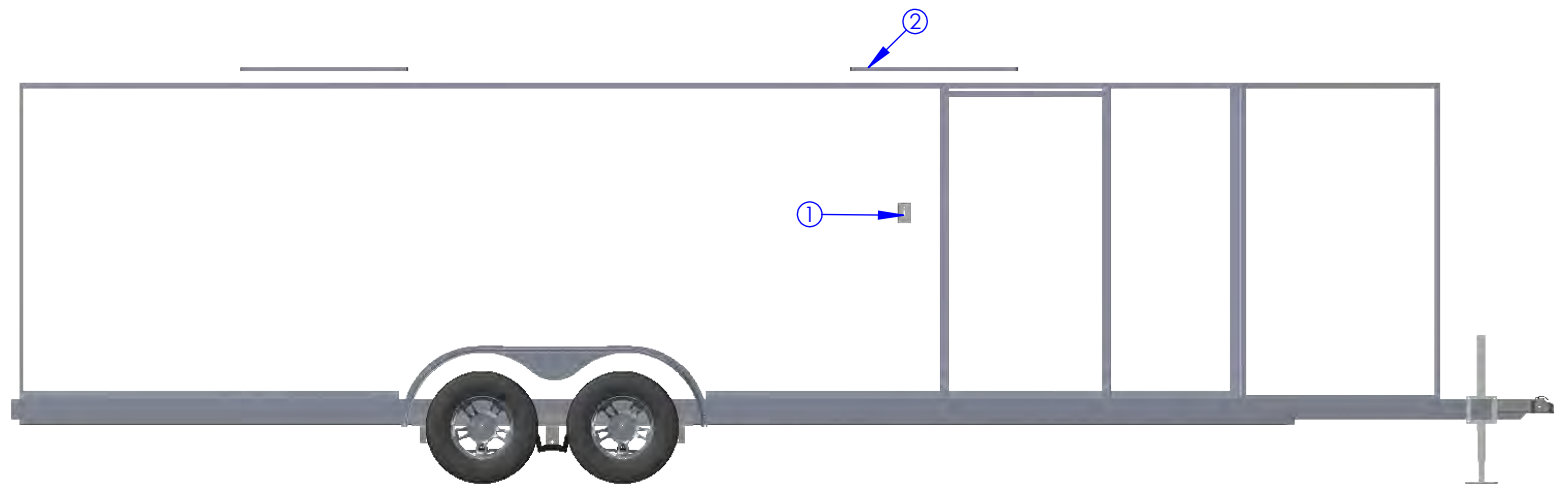
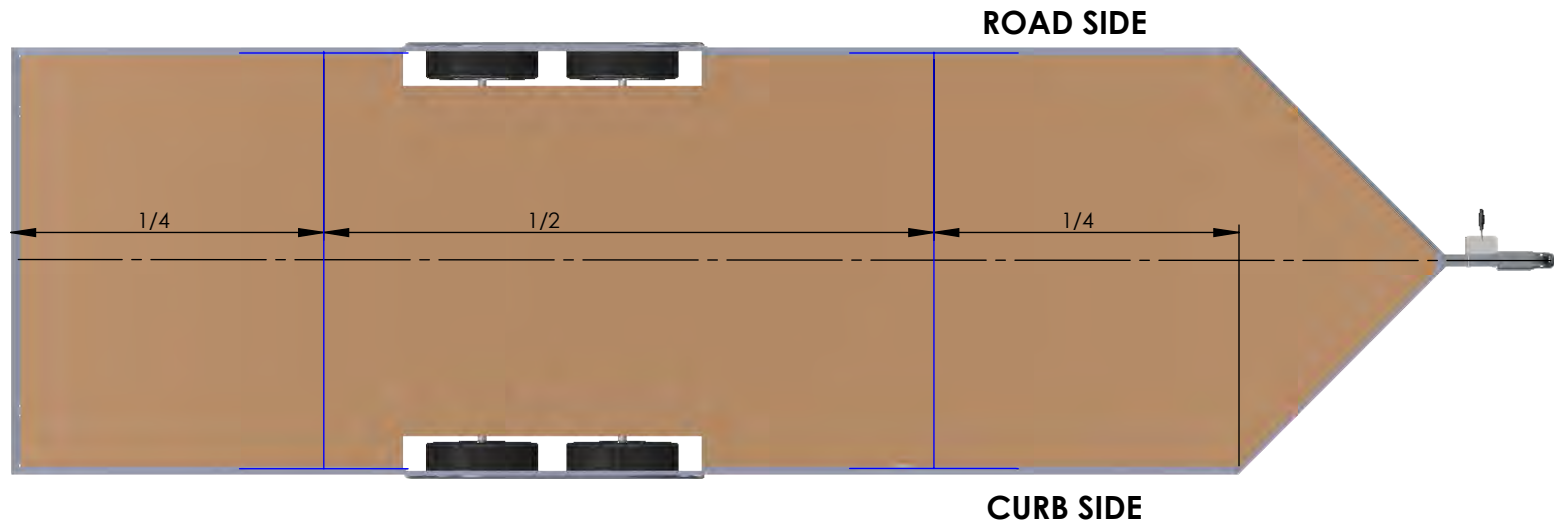


DRAWN BY	DATE
TYLER BOURASSA	8/20/2019

**LED PACKAGE
TWO 39" LIGHTS**

AELP90-111

DO NOT SCALE DRAWING



ITEM NO.	QTY.	DESCRIPTION
1	1	SWITCH
2	4	39" LED LIGHT

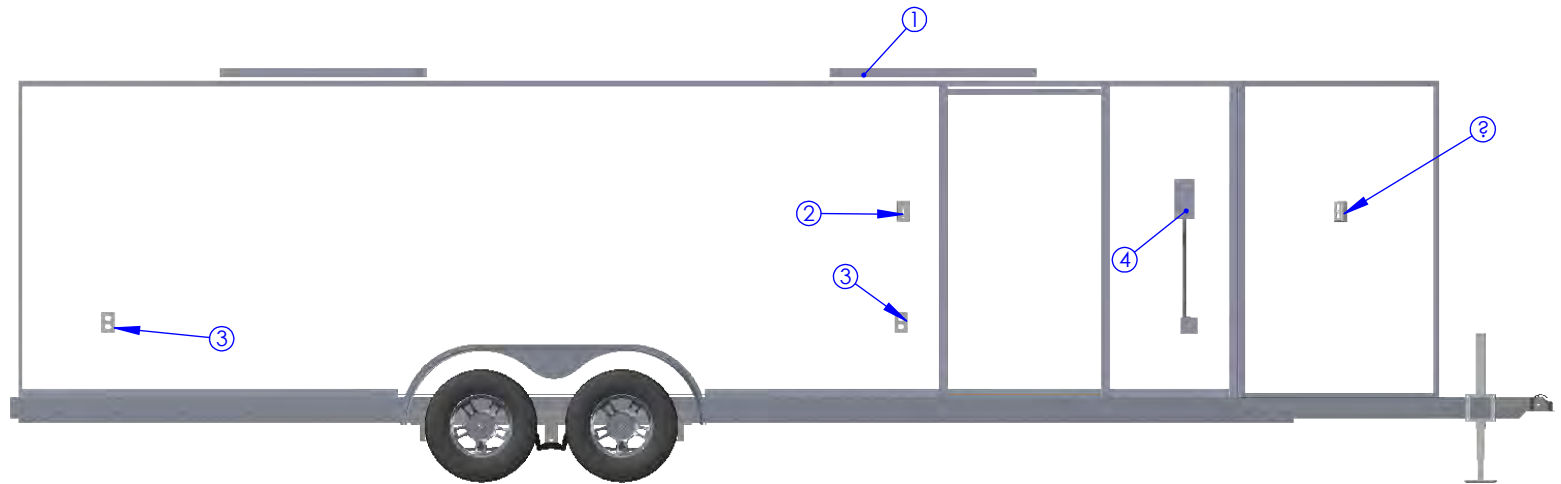
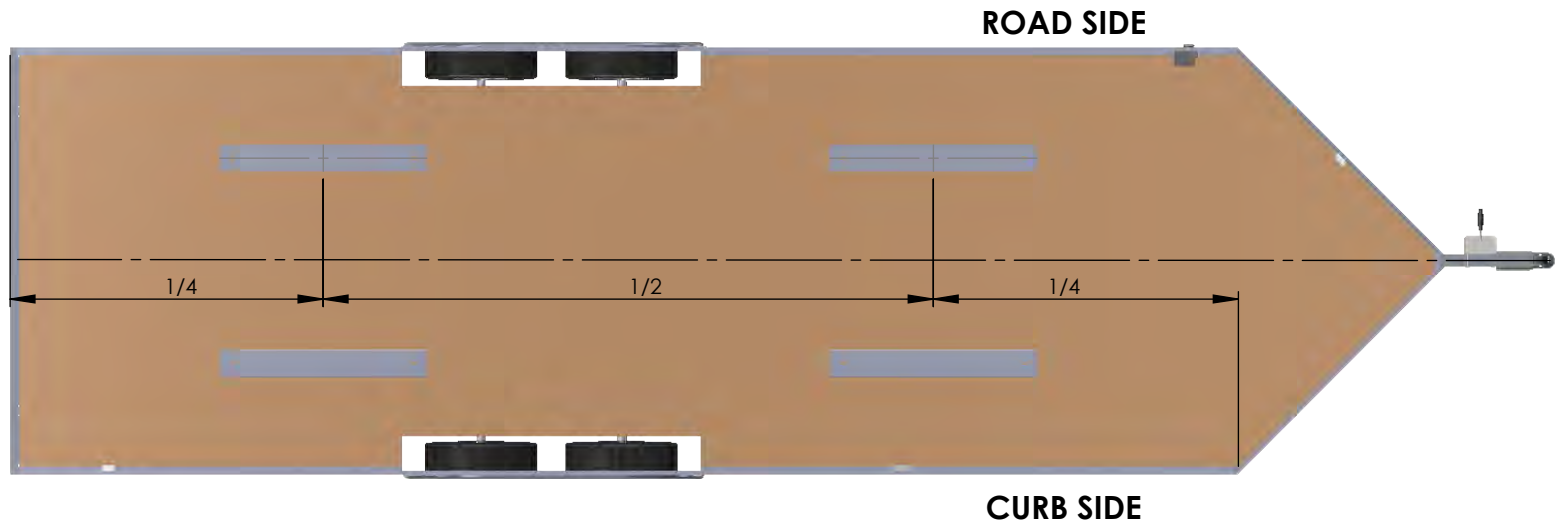


DRAWN BY	DATE
TYLER BOURASSA	8/20/2019

**LED PACKAGE
FOUR 39" LIGHTS**

AELP90-112

DO NOT SCALE DRAWING



ITEM NO.	QTY.	DESCRIPTION
1	4	48 INCH LED LIGHT
2	1	SWITCH
3	3	110V OUTLET
4	1	30 AMP PANEL/SHORE CORD RECEIPT

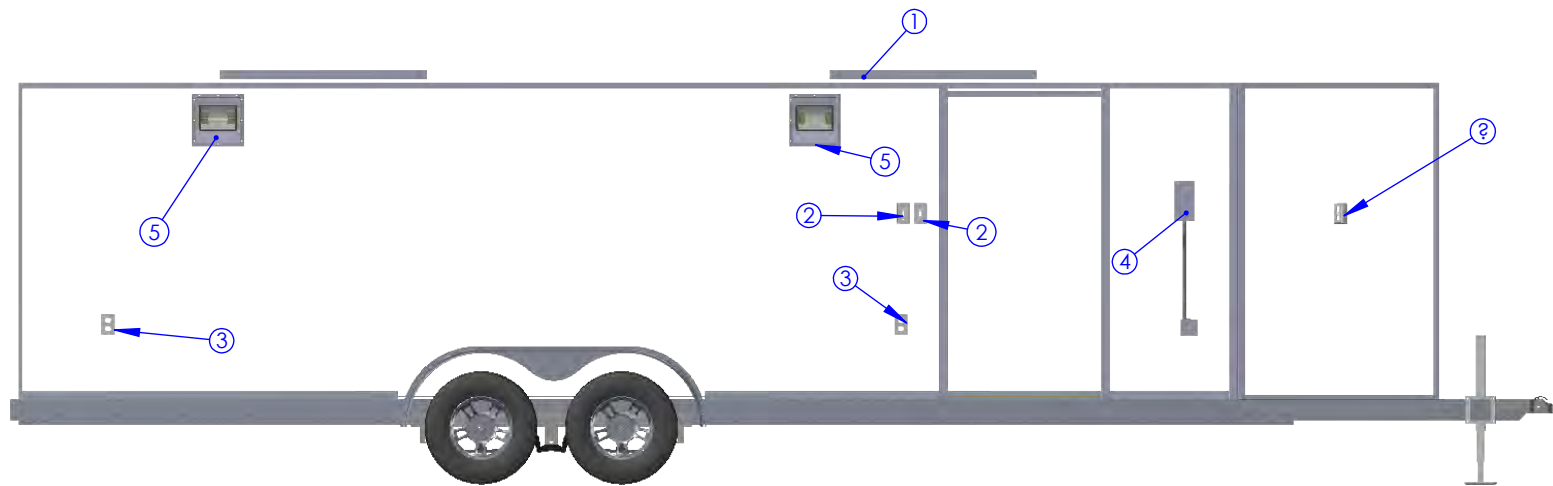
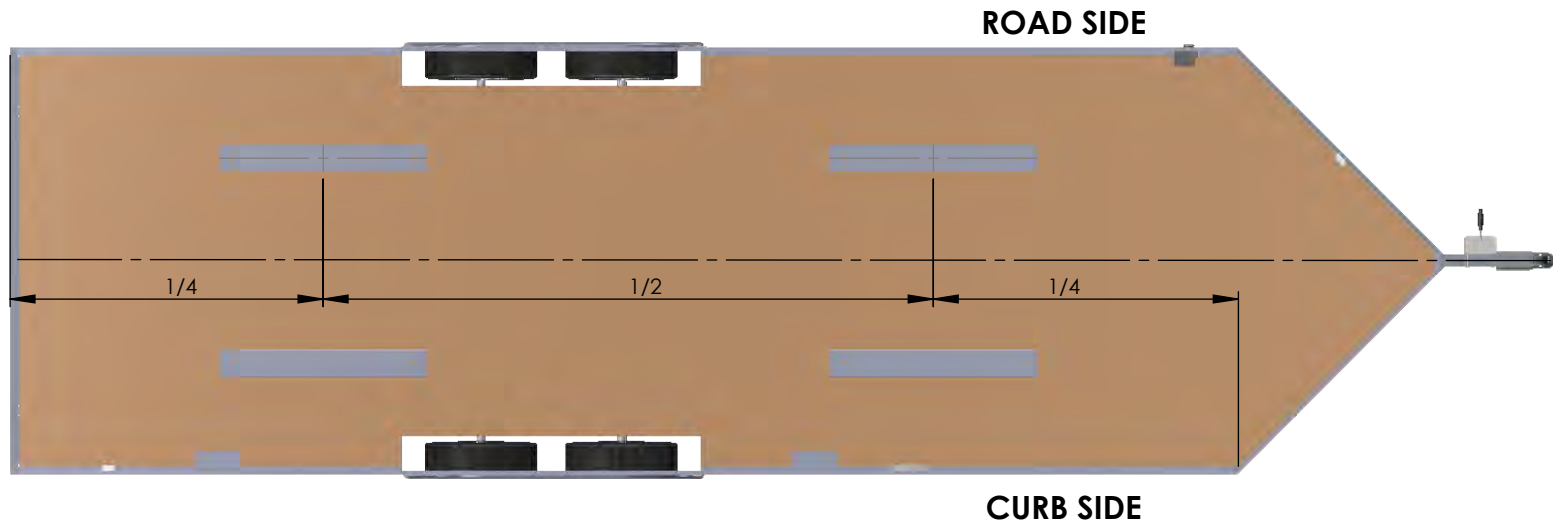


DRAWN BY	DATE
TYLER BOURASSA	8/20/2019

**POWER PACKAGE 2
LED, 110V, 48"**

AELP90-113

DO NOT SCALE DRAWING



ITEM NO.	QTY.	DESCRIPTION
1	4	48 INCH LED LIGHT
2	2	SWITCH
3	3	110V OUTLET
4	1	30 AMP PANEL/SHORE CORD RECEPT
5	2	120 VOLT QUARTZ LIGHT ASSEMBLY

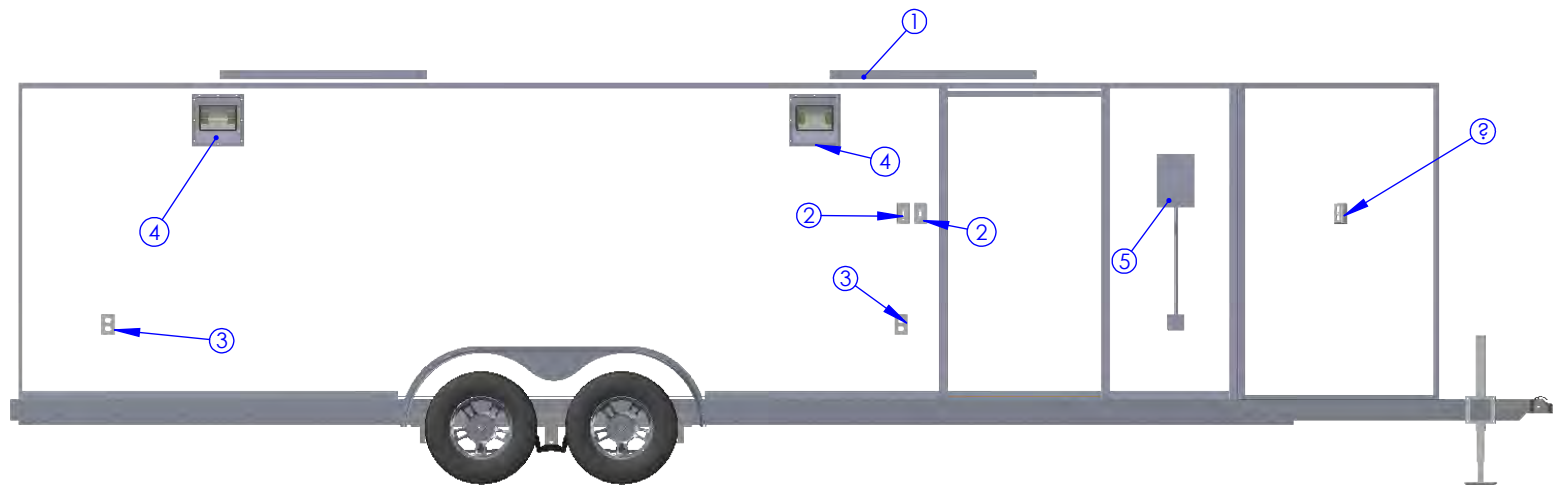
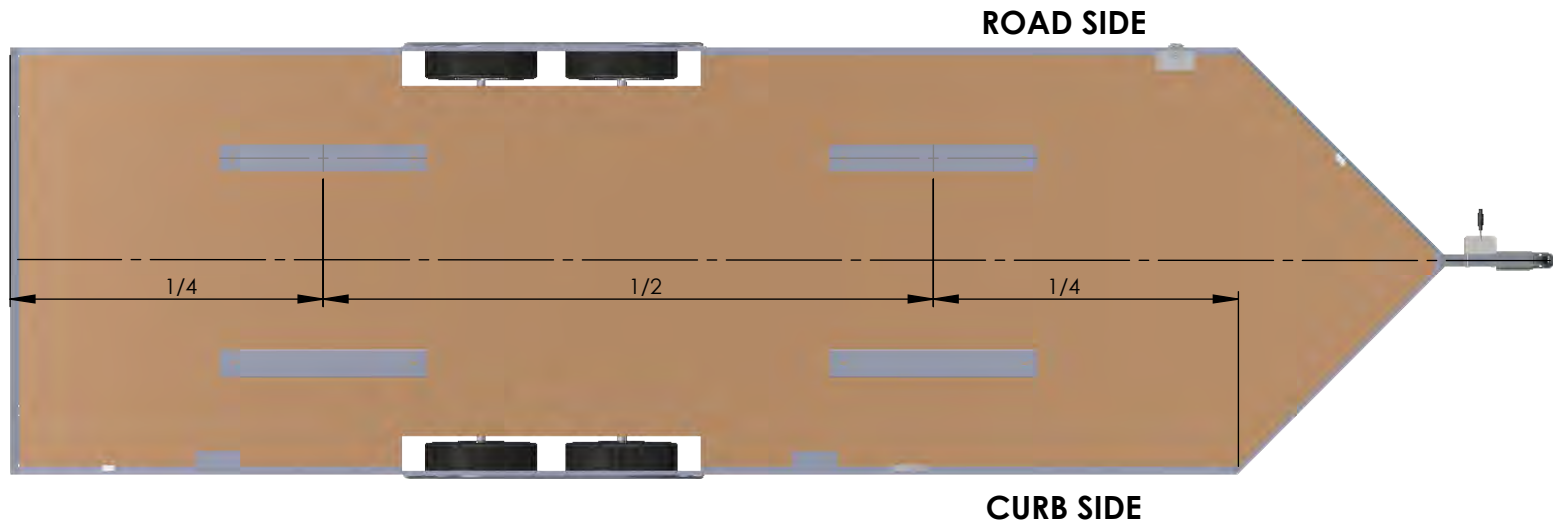


DRAWN BY	DATE
TYLER BOURASSA	8/20/2019

POWER PACKAGE 3
LED, 110V, 48"

AELP90-114

DO NOT SCALE DRAWING



ITEM NO.	QTY.	DESCRIPTION
1	4	48 INCH LED LIGHT
2	2	SWITCH
3	3	110V OUTLET
4	2	120 VOLT QUARTZ LIGHT ASSEMBLY
5	1	50 AMP PANEL ASSEMBLY/SHORE CORD RECEIPT

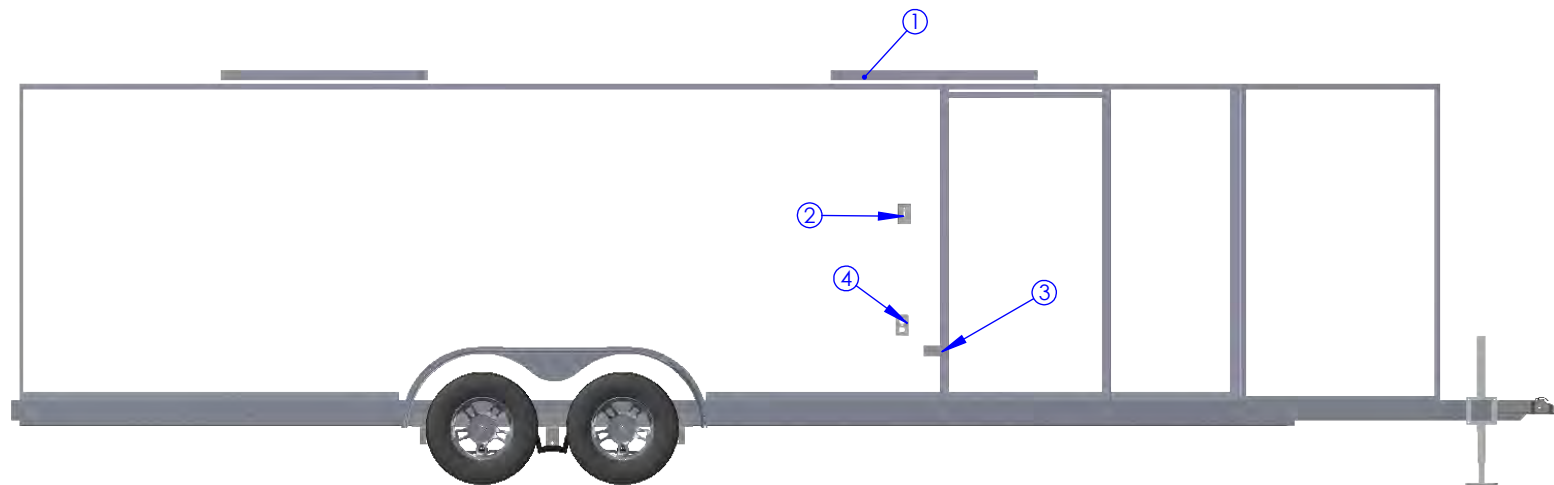
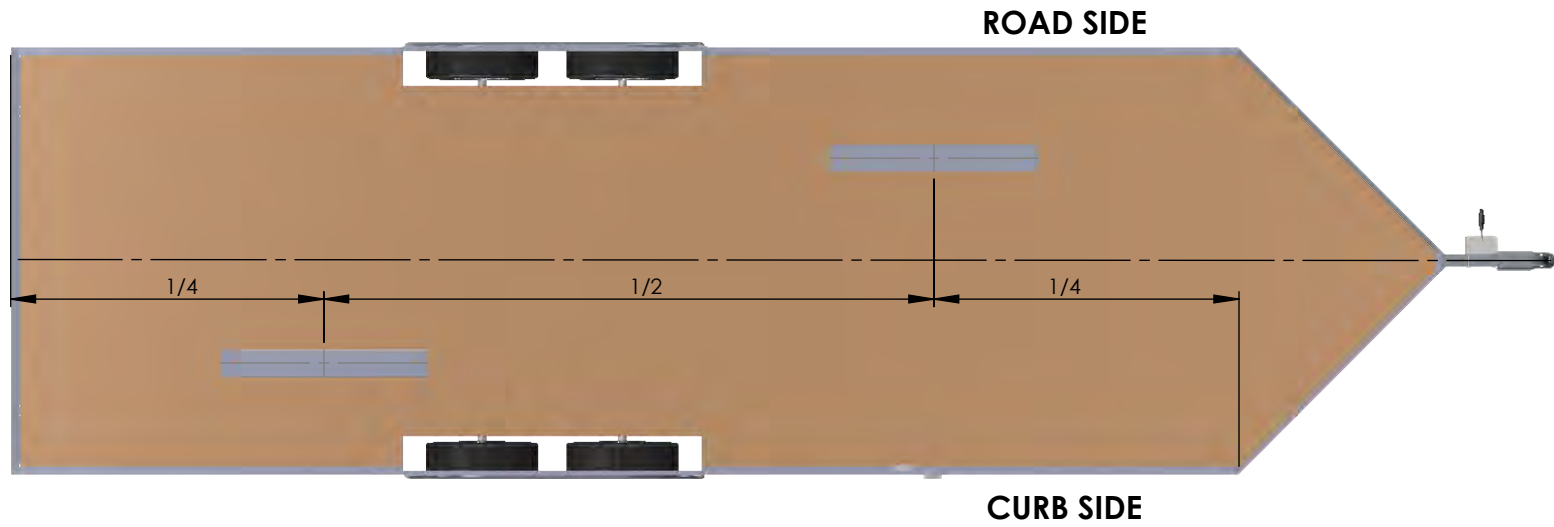


DRAWN BY	DATE
TYLER BOURASSA	8/20/2019

POWER PACKAGE 4
LED, 110V, 48"

AELP90-115

DO NOT SCALE DRAWING



ITEM NO.	QTY.	DESCRIPTION
1	2	48 INCH LED LIGHT
2	1	SWITCH
3	1	MOTORBASE
4	1	110V OUTLET



DRAWN BY	DATE
TYLER BOURASSA	8/20/2019

POWER PACKAGE 1
LED, 110V, 48"

AELP90-116

DO NOT SCALE DRAWING